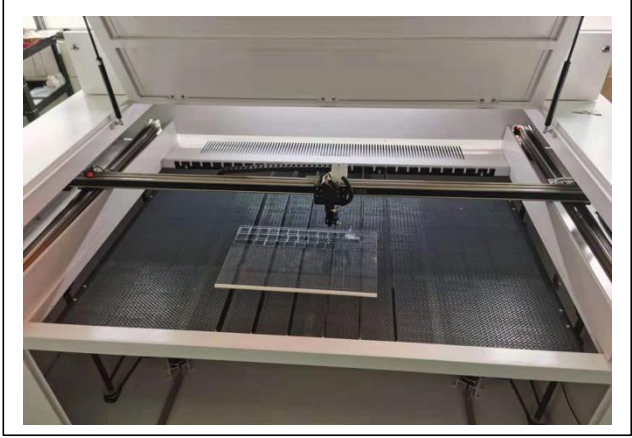
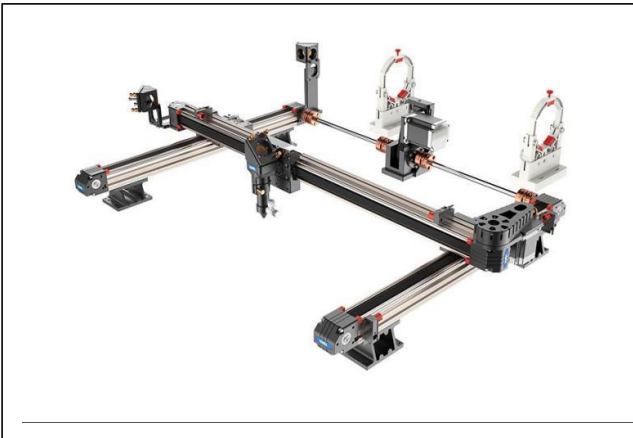
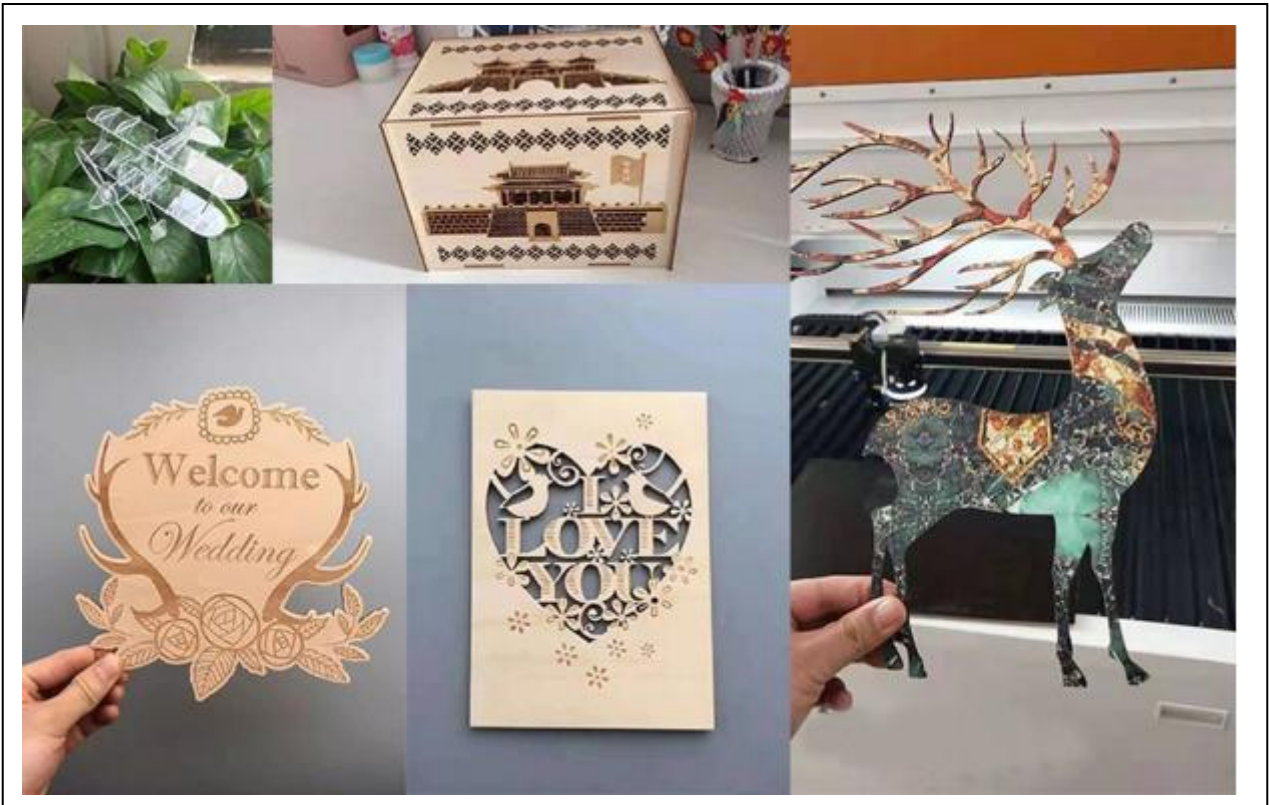
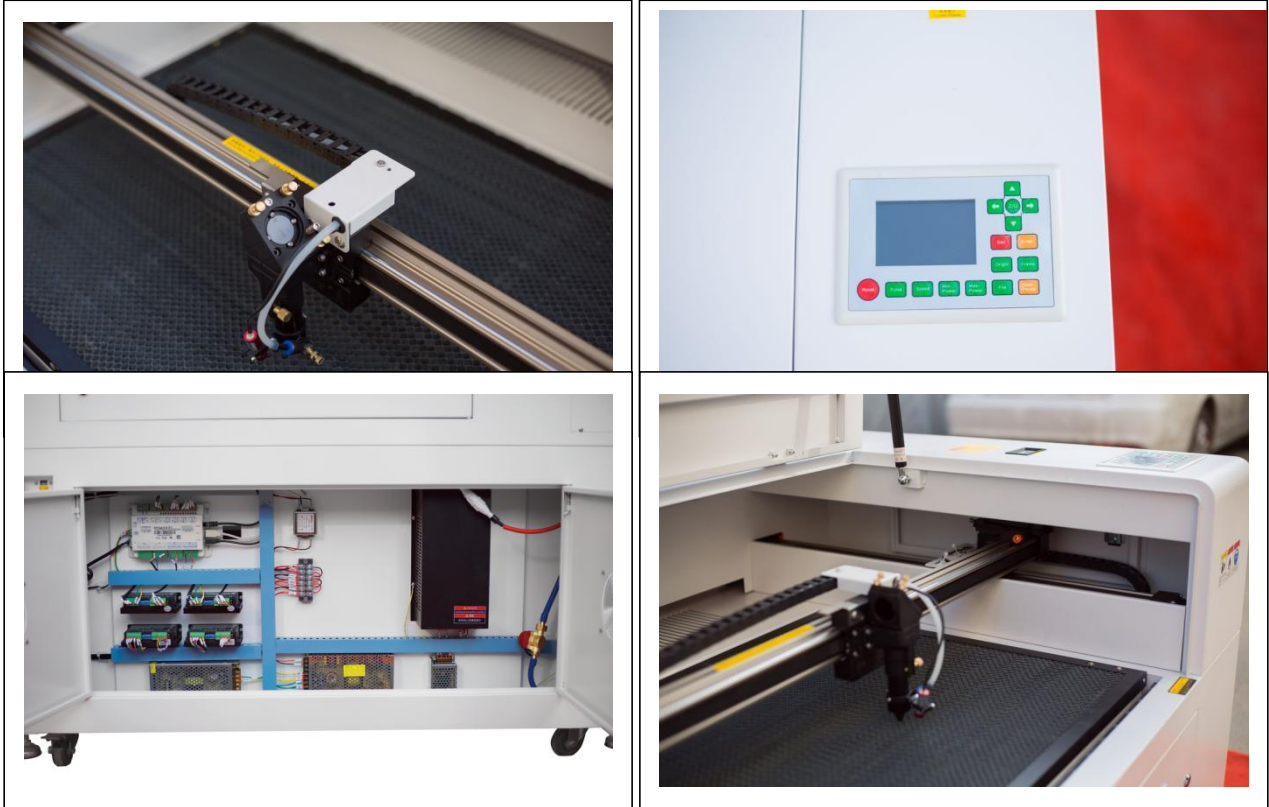


1390 Laser Cutting Machine



HENAN JOYIN DIGITAL TECHNOLOGY CO.,LTD

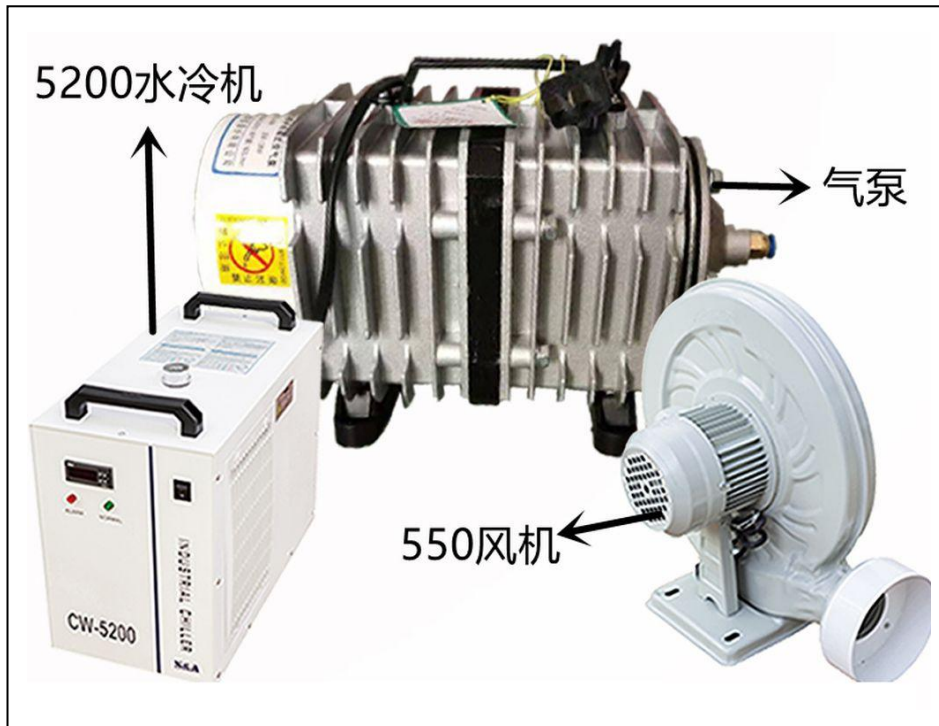


Details

1. Customized Weeson 130W laser tube, super stable output with the laser power supply.
2. High Precision Module Linear with lubrication and cleaning, long life working , high precision cutting , low noise, less maintenance.
3. Automatic lifting platform with 4 ball screw to make sure the table precision .
4. RUIDA control system support U-disk working and continue to work after the power off suddenly .
5. Imported optical lens, high reflectivity, good focusing effect, small cutting gap.
- 6.Red dot position system .
7. Adjustable air pump protect the risk of fire during cutting , in case to protect lens and guide rail.
8. Cover protection system, improve the safety of the machine. When children open the running machine , the machine will stop at once .
9. Working alarming light is convenient for operators to see the machine status .

Tool Box





Model	1390 High Precision Module Linear Cutting Machine
Laser Tube Power	80W/ 100W/130W/150W
Working size	1300*900MM
Engraving Speed	0-1200MM/S
Cutting Speed	0-600MM/S
Software	DSP /RUIDA board
Working table	Honeycomb+Blades
Max Lifting	45cm
Date Port	USB、LAN
Voltage	220V/ 50HZ/ 60HZ
Media	Acrylic <25MM/Wooden/Leather/Plastic.etc
Options	Rotary/CCD cutting System